



HYCN300cS / HYCN300dS 600 MHz SISO HT-OFDM Radio

Specifications of Radio



RADIO SPECIFICATIONS	
Frequency range	600~620 MHz / 662.5~687.5 MHz
Channel Band Width	2.5 ~ 10 MHz (Customized)
Frequency Stability	± 2 ppm
Modulation	SISO HT-OFDM

MCS Index	SISO HT-OFDM @ 2.5MHz			SISO HT-OFDM @ 7MHz		
	Data Rate (Mbps)	Tx Power (dBm)	Rx Sensitivity	Data Rate (Mbps)	Tx Power (dBm)	Rx Sensitivity
MCS0	0.81	33 (±1.5)	-92 dBm	2.36	33 (±1.5)	-90 dBm
MCS1	1.62	33 (±1.5)	-90 dBm	4.73	33 (±1.5)	-87 dBm
MCS2	2.44	33 (±1.5)	-87 dBm	7.09	33 (±1.5)	-83 dBm
MCS3	3.25	31 (±1.5)	-84 dBm	9.45	31 (±1.5)	-81 dBm
MCS4	4.88	31 (±1.5)	-81 dBm	14.18	31 (±1.5)	-79 dBm
MCS5	6.50	29 (±1.5)	-77 dBm	18.90	29 (±1.5)	-75 dBm
MCS6	7.31	29 (±1.5)	-75 dBm	21.18	29 (±1.5)	-73 dBm
MCS7	8.12	28 (±1.5)	-73 dBm	23.63	28 (±1.5)	-72 dBm

INTERFACES	
1 x N-type Female Connector	
10/100/1000 Base-T RJ-45 port with M25 Cable Gland	

MANAGEABILITY	
Management and Setup	Web-based (Chrome / IE 9.0 or later)
SNMP agents	MIB II
Protocol	TCP/IP, IPX/SPX, NetBEUI
Operating mode	Base Station / CPE / Peer to Peer Bridge
Antenna Alignment	WEB GUI Local / Remote Information
Built-in NMS	Live linking status of the network by GPS coordinates and internet map database
Built-in GPS Receiver	Self-locate GPS coordinates to synchronize NMS live linking status (Optional)

SECURITY	
Data Encryption	WPA-PSK / WPA2-PSK
Advanced Security	MAC access control / Disable SSID / Proprietary protocol

ENVIRONMENT	
Operating Temperature	-30~60 °C
Storage Temperature	-30~70 °C
Humidity	95% non-condensing

POWER SUPPLY & CONSUMPTION	
Power Supply : AC 100-264V, 50-60Hz convert to DC 48V Adapter (Max. 45Watts) with 48VDC POE or DC 10-30V (Optional)	
Power consumption : 25Watts	

PHYSICAL	
Dimension	259 (L) * 250 (W) * 75 (H) ; mm (External antenna model)
Weight	2Kg (ground station & boat station versions)

WARRANTY	
1 YEAR	

ORDERING INFORMATION	
HYCN300cS-33	600 ~ 620 MHz 2Watts SISO HT-OFDM Radio, PoE version
HYCN300dS-33	662.5 ~ 687.5 MHz 2Watts SISO HT-OFDM Radio, PoE version
HYCNV300cS-33	600 ~ 620 MHz 2Watts SISO HT-OFDM Radio, DC10-30V version
HYCNV300dS-33	662.5 ~ 687.5 MHz 2Watts SISO HT-OFDM Radio, DC 10-30V version
HYCNV30cdS-33	600 ~ 620 / 662.5 ~ 687,5 MHz dual 2Watts SISO HT-OFDM Radio, DC 10-30V version
HYCACF610	610 MHz Channel Filter, N-Female
HYCACF675	675 MHz Channel Filter, N-Female



Specifications of Sector Antennas

Electrical Specification

Frequency Band	662 – 688 MHz
Gain (Max.)	≥ 10 dBi
Nominal Impedance	50 Ω
VSWR	≤ 2.0:1
Polarizations	Circular, RHCP
HPBW-Azimuth	80°
HPBW-Elevation	25°
Front - to - back ratio	> 25 dB
Max. Power Handling	100 W cw
Operating Temperature	-40°C ~ +70°C
Lightning Protection	DC Grounded

Mechanical Specification

Connector	N Type, Female
Dimension	905(L) x 326(W) x 86(H) ± 5.0mm
Weight	≤ 7 Kg (with Mounting Kit)
Wind Survival	200 Km/h
Wind Load @150km/h	Front : 467 N, Side : 123 N
Color	Gray
Mounting	MT-007 Mounting Kit , on pole Φ 40 ~ 80 mm

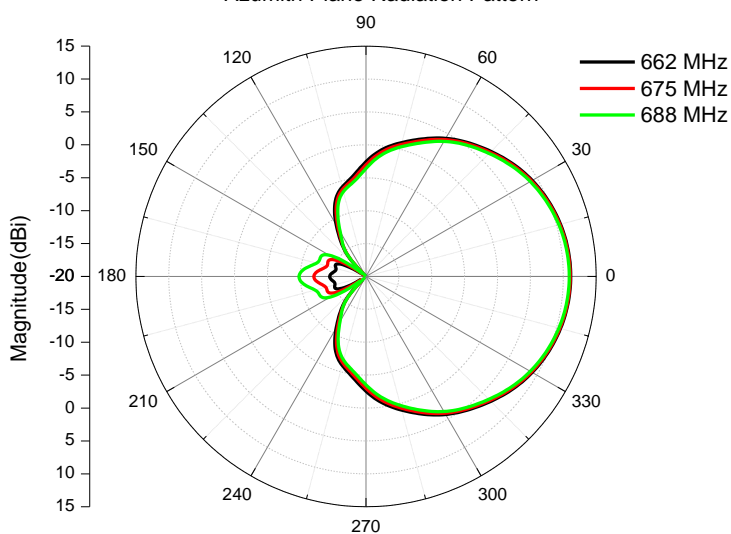


Ordering Information:

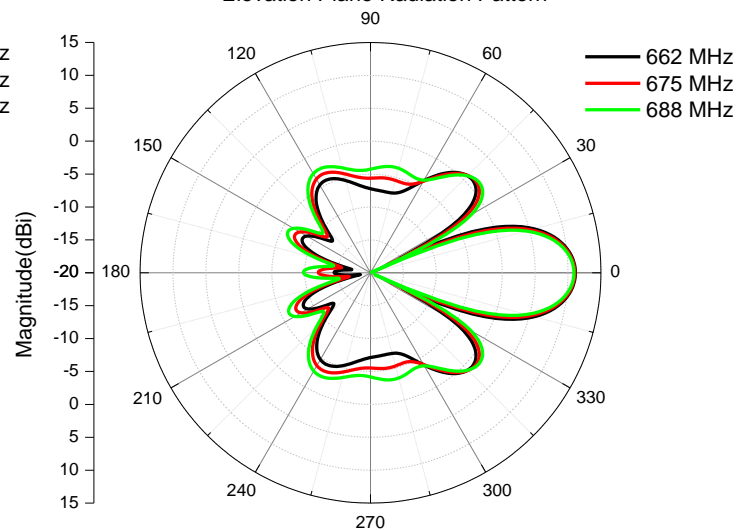
ANTU606210-S80-NFRC, 610MHz

ANTU666910-S80-NFRC, 675MHz

Azimuth Plane Radiation Pattern



Elevation Plane Radiation Pattern





Specifications of Omni Antennas

Electrical Specification

Frequency Band	600 ~ 620 MHz
Gain	7 dBi
Nominal Impedance	50Ω
VSWR	< 1.5 : 1
Polarizations	Linear, Vertical
HPBW-Azimuth	360°
HPBW-Elevation	17°
Max. Power Handling	150 W
Operating Temperature	-40°C ~ +80°C

Mechanical Specification

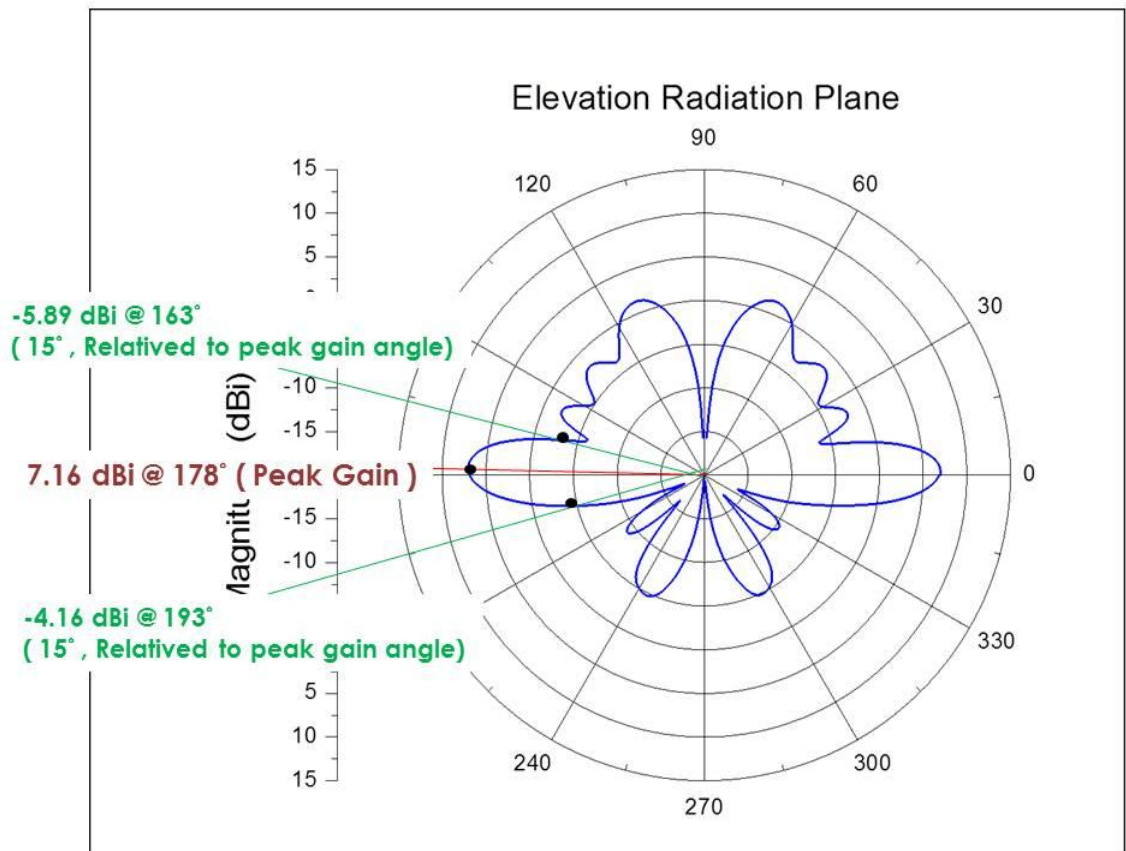
Connector	N-Type, Female
Length	2110 ± 10.0 mm
Diameter	42 ± 0.5 mm
Antenna Weight	2.0 Kg
Mounting Weight	2.7 Kg
Wind0 Load @150km/h	90 N
Color	Green
Mounting	Clamp Set , On pole Φ 30~70 mm

Electrical Specification

Frequency Band	600 ~ 620 MHz
Gain	5 dBi
Nominal Impedance	50 Ω
VSWR	< 1.5 : 1
Polarizations	Linear, Vertical
HPBW-Azimuth	360°
HPBW-Elevation	28°
Max. Power Handling	150 W
Operating Temperature	-40°C ~ +80°C

Mechanical Specification

Connector	N-Type, Female
Length	1457 ± 10.0 mm
Diameter	42 ± 0.5 mm
Antenna Weight	1.4 Kg
Mounting Weight	2.7 Kg
Wind0 Load @150km/h	60 N
Color	Green
Mounting	Clamp Set , On pole Φ 30~70 mm



Ordering Information:

ANTM600620M05-M

ANTM662687M05-M

ANTM600620M07-M

ANTM662687M07-M



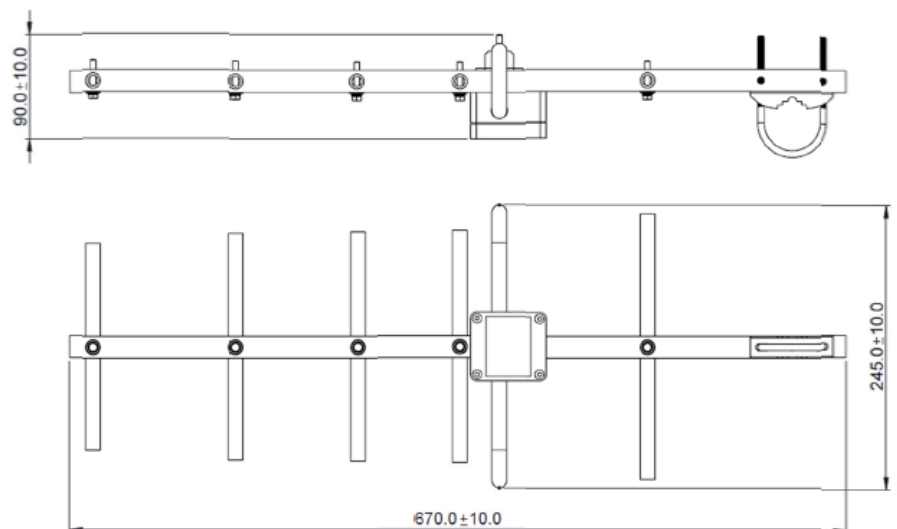
Specifications of Yagi Antennas

Electrical Specification

Frequency	600 ~ 620 MHz
Gain	10 dBi
Nominal Impedance	50 Ω
VSWR	$\leq 1.5:1$
Polarization	Horizontal or Vertical
HPBW-Azimuth	47°
HPBW-Elevation	56°
Front - to - back ratio	> 15 dB
Max. Power Handling	250 W
Operating Temperature	-40°C ~ +70°C
Lightning Protection	DC Ground

Mechanical Specification

Connector	N Type, Female
Dimension	670(L) x 245(W) x 90(H) \pm 10.0 mm
Weight	1.2 Kg
Wind Survival	200 Km/h
Color	Silver
Mounting	On pole Φ 30 ~ 45 mm
Mounting Material	SUS304



Ordering Information:
 ANT600620M10-Y-NF
 ANT662687M10-Y-NF